

STANDARD CONSTRUCTION

FRAME: .081" thk. (nominal) extruded aluminum, 6063-T52/T6 alloy. Channel type.

BLADES: Stationary blades are made from .081" thk. (nominal) extruded aluminum 6063-T52/T6 alloy. Adjustable blades are made from .125" thk. (nominal) extruded aluminum 6063-T52/T6 alloy, in an Airfoil design. Blades are approximately 4½" on centers.

LOUVER FACE: Full width head and sill with blades and jambs contained within.

SHAFT: .50" dia. aluminum "Pin-Lock" rod.

LINKAGE: Extruded aluminum, concealed in the channel out of the airstream. The pivots, which rotate in Celcon bearings, are .50" dia. plated and machined steel. The pivot is locked to the 5/16" dia. aluminum linkage rod by a ¼ - 20 set screw with epoxy locking patch.

SEALS: Extruded silicone rubber seals at blade edge. Foam on bottom blade. Stainless steel at jambs.

SCREEN: (When indicated, in a removable frame)
 ½" flattened aluminum, .051" thk.,
 -or- Insect screen 18/16 aluminum mesh, .011" dia.,
 -or- ½" sq. mesh intermediate double crimped aluminum wire, .063" dia.

FINISH: Mill.

OPTIONS

Finishes - Enamels, Epoxies, etc.

Other screens available.

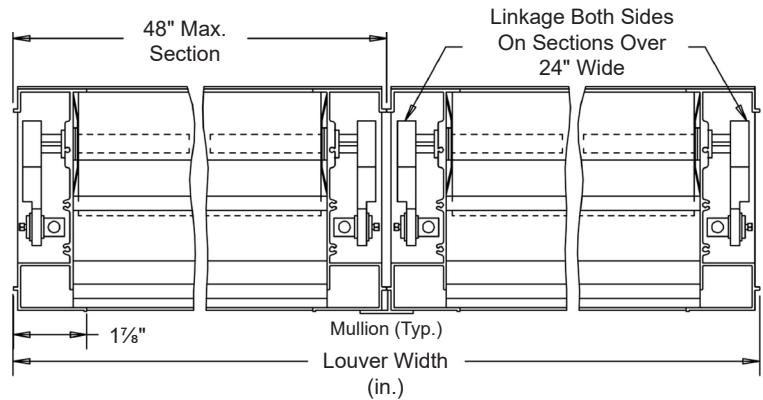
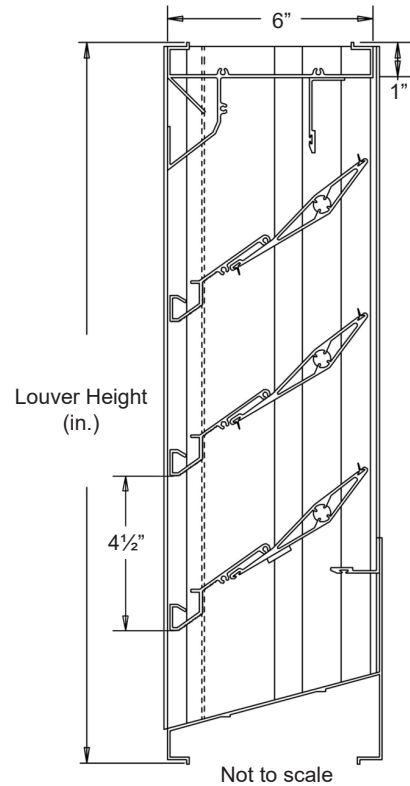
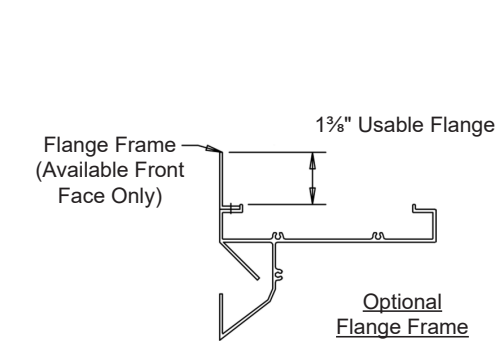
Actuators - Electric, Pneumatic, Manual, etc.

NOTES

- Nominal deductions will be made to the opening size given.
- Approximate shipping weight is 5.8 lbs./sq.ft.

LOUVER SIZES

| Min Panel | Max Single Panel |
|-------------|------------------|
| 12"W x 12"H | 48"W x 96"H |



| Item # | Qty | Width | Height | Width | Height | Mullion | Type | Location | Union Made |
|----------------|-----|--------------|--------|-------------|--------|---------|---------|----------|------------|
| | | Opening Size | | Louver Size | | | Screens | | |
| Arch. / Eng. : | | | | | | EDR: | | ECN: | Job: |
| Contractor: | | | | | | | | | |
| Project: | | | | | | Date: | | DWN: | DWG: |

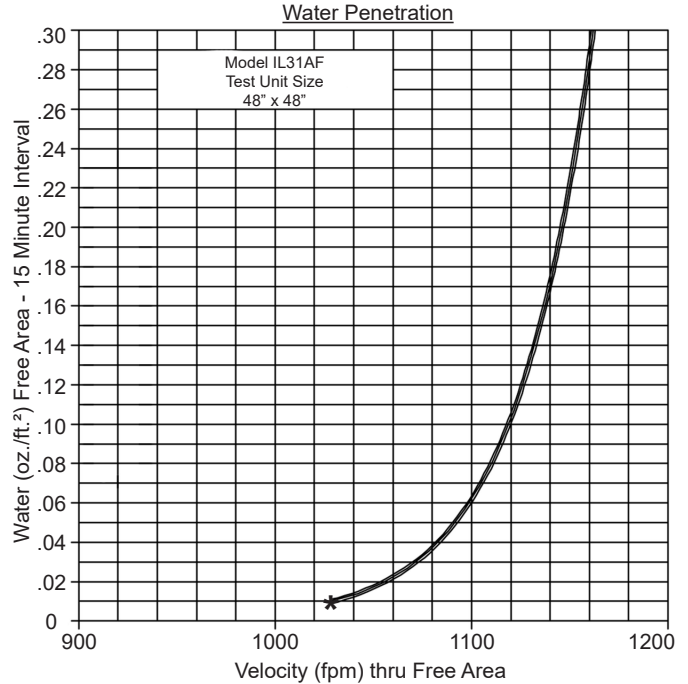
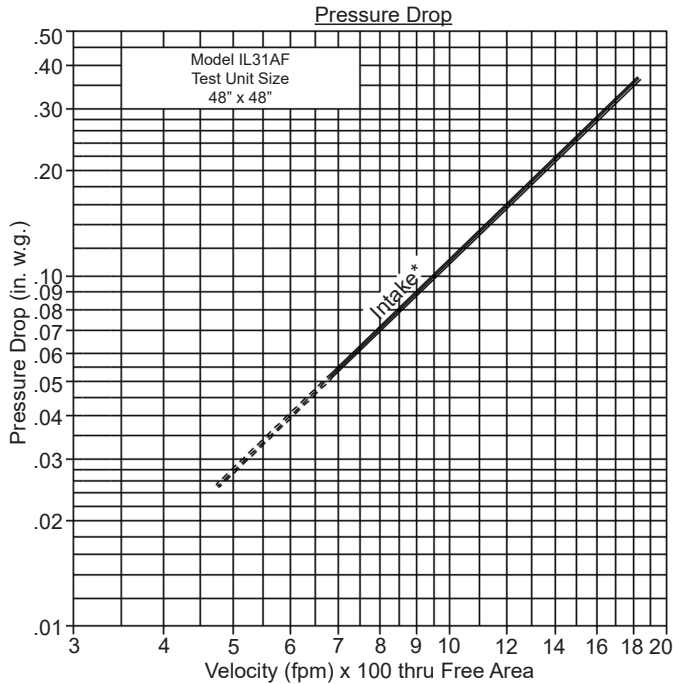
In the interest of product development, Louvers & Dampers reserves the right to make changes without notice.

Extruded Aluminum Louver • 6" Deep • 35° Drainable Blades • Airfoil Adjustable Blades • Combination

PERFORMANCE DATA

Pressure Drop: .14 in. w.g. at 1026 fpm
 Free Area: 8.24 sq.ft. = 52% for 48"W x 48"H sample tested in accordance with AMCA Standard 500-L.
 Beginning Point of Water Penetration: 1029 fpm

Ratings do not include the effects of a screen.



1029 (FPM) Beginning Point of Water Penetration.

*Intake air converted to standard air density.
 Tested to AMCA Standard 500-L, Figure 5.5.

| | | Free Area (sq.ft) | | | | | | |
|--------------|-----|-------------------|------|------|-------|-------|-------|-------|
| | | Width (in.) | | | | | | |
| | | 12" | 18" | 24" | 30" | 36" | 42" | 48" |
| Height (in.) | 12" | .14 | .24 | .34 | .45 | .55 | .65 | .76 |
| | 24" | .64 | 1.12 | 1.60 | 2.08 | 2.55 | 3.03 | 3.51 |
| | 36" | 1.00 | 1.76 | 2.51 | 3.26 | 4.02 | 4.77 | 5.52 |
| | 48" | 1.50 | 2.62 | 3.74 | 4.87 | 5.99 | 7.11 | 8.24 |
| | 60" | 2.00 | 3.50 | 4.99 | 6.49 | 7.99 | 9.49 | 10.99 |
| | 72" | 2.36 | 4.14 | 5.91 | 7.68 | 9.45 | 11.23 | 13.00 |
| | 84" | 2.86 | 5.00 | 7.14 | 9.28 | 11.42 | 13.57 | 15.71 |
| | 96" | 3.36 | 5.87 | 8.39 | 10.91 | 13.43 | 15.94 | 18.46 |

Air Leakage with adjustable blade in closed position with a seating torque of 6.25 in.lb./sq.ft. of Louver Face Area. Leakage is based on a test of a 48" x 48" louver.

Air leakage (Louver Installation Position, Intake) is per AMCA Standard 500 Procedure Fig. 5.5.

